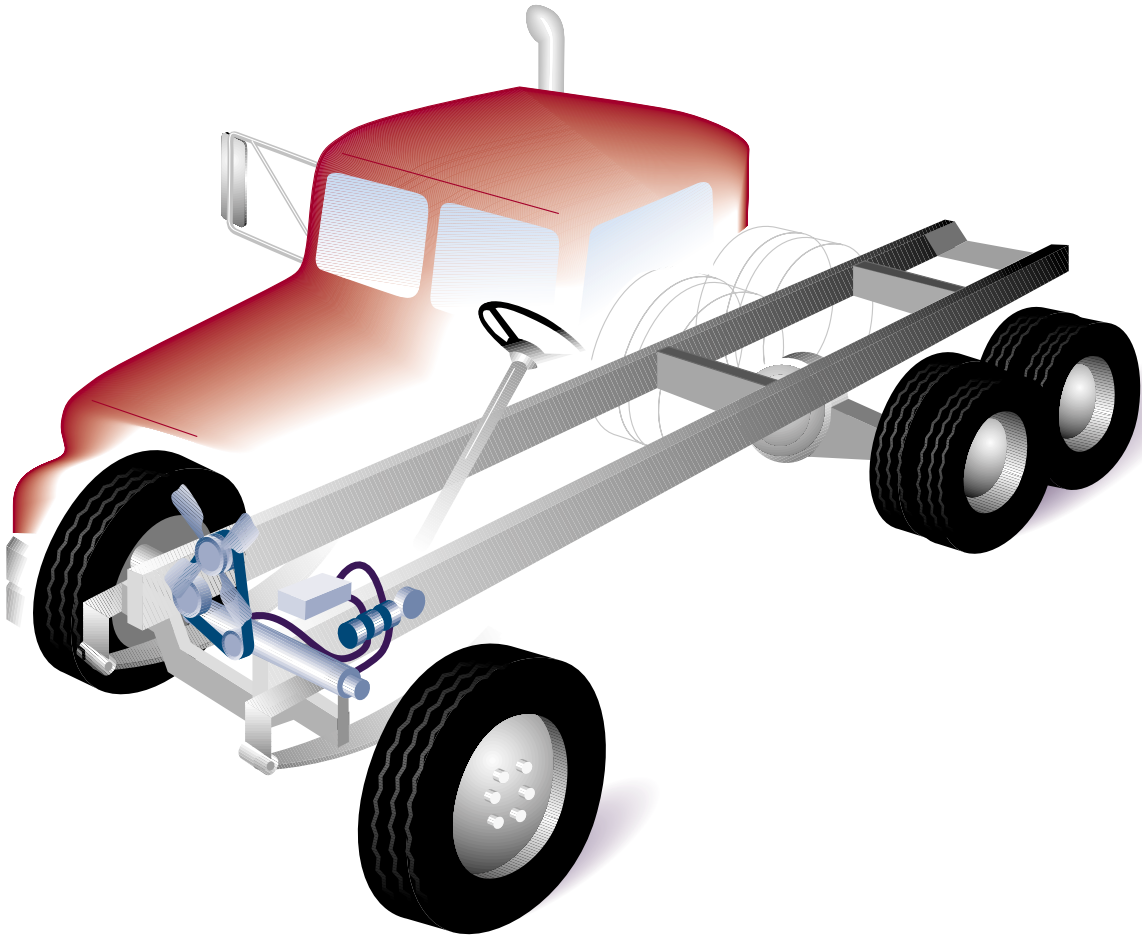


Power Steering Systems



FC300 Truck Hose

Features:

- AQP® elastomer tube
- Single-wire braid reinforcement
- Multi-purpose construction
- Color-stabilized polyester braid cover
- Screw-together reusable fittings

Benefits:

- Superior temperature range (-55°F to +300°F / -49°C to +150°C)
- Excellent service life performance
- Recommended for a wide range of engine and vehicle applications
- Superior abrasion resistance; enhanced appearance
- Worldwide fitting selection and availability

Aeroquip FC300 AQP[®] Truck Hose



Specifications and Performance:

(Exceeds SAE100R5, meets DOT/FMVSS 106 Type All)

Part Number	Hose I.D. (mm/inch)	Hose O.D. (mm/inch)	Max. Oper. Press. (Bar/psi)	Min. Burst Press. (Bar/psi)	Min. Bend Radius (mm/inch)
FC300-04	4.8/.19	13.2/.52	207/3000	828/12000	76.2/3.00
FC300-05	6.4/.25	14.7/.58	207/3000	828/12000	85.8/3.38
FC300-06	7.9/.31	17.0/.67	155/2250	620/9000	101.6/4.00
FC300-08	10.4/.41	19.3/.76	138/2000	552/8000	117.3/4.62
FC300-10	12.7/.50	23.6/.93	120/1750	480/7000	139.7/5.50
FC300-12	15.9/.62	27.4/1.08	103/1500	412/6000	165.1/6.50
FC300-16	22.2/.88	32.3/1.27	55/800	220/3200	187.5/7.38
FC300-20	28.6/1.12	38.1/1.50	43/625	172/2500	228.6/9.00
FC300-24	34.9/1.38	44.5/1.75	34/500	136/2000	266.7/10.50
FC300-32	46.0/1.81	56.4/2.22	20/300	82/1200	336.6/13.25

Operating Temperature Range:

- -55°F to +300°F
(-49°C to +150°C)
- Except air +250°F (+121°C)

Vacuum Rating (in/Hg):

- 28 (sizes -04 through -12)
- 20 (sizes -16 and -20)
- 15 (size -24)
- 11 (size -32)

CAUTION: Internal support coils must be used for -16 or larger in negative pressure applications where there will be extended or continuous service at high temperature with low or negative pressure. Unsupported hose may collapse in this application with a potential for property damage.



Eaton Aeroquip
Industrial Division
3000 Strayer Road, P.O. Box 631
Maumee, Ohio 43537-0631
419/867-2600, Fax: 419/867-2629
www.aeroquip.com

